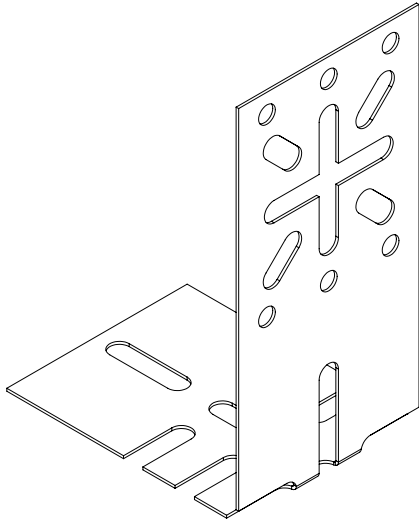


MINI BOX UNIVERSAL BRACKET (MINI SUC ERE / BFR 35)



Finishes: PG, HDG, SS304.

Characteristics:

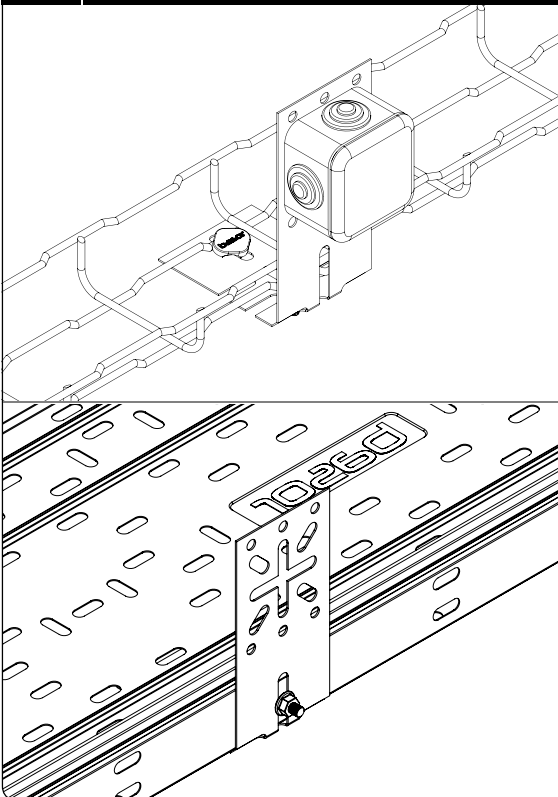
- Metallic
- No-flame propagating component
- System with electrical continuity
- Electrically conductive component
- Minimum temperature of -50°C
- Maximum temperature of 150°C
- With metallic coating, resistance to corrosion:

PG coating: class 3

HDG coating: class 5

SS304 coating: class 9A

MOUNTING INSTRUCTIONS



- The mini box universal bracket (MINI SUC ERE / BFR 35) Basortray ERE or Basorfil BFR is used for fixing small watertight boxes.
- To set the MINI SUC ERE / BFR 35 to the Basorfil BFR tray is necessary to use two sets TBF.
- To set the MINI SUC ERE / BFR 35 to the Basortray ERE is necessary to use two B1 sets.